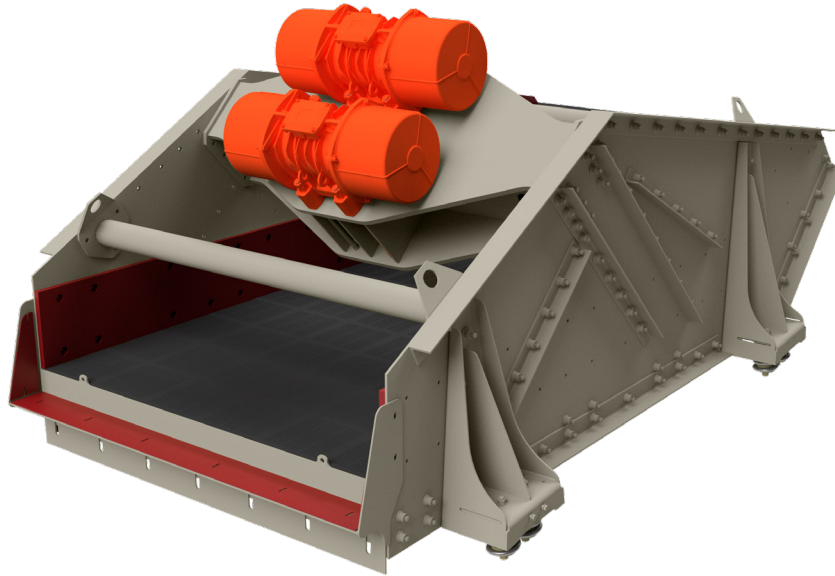


Dewatering Screen

Dewatering Equipment



Single Deck Linear Motion Dewatering Screens

- Predominately bolted screen frame assembly
- Integral stiffener tubes with lifting lugs
- Steel coil springs
- Adjustable incline (0° to 5°) (standard is 5° incline unless otherwise specified at the time of order)
- Sloped feed section
- Adjustable discharge dam
- Bolt-in UHMW pan side liners
- Highly abrasion resistant 1' square x 30 mm thick modular urethane screen media with slotted apertures (media opening size to be specified at the time of order)
- Stress relieved, fabricated motor bridge
- Engineered motor mounting studs
- Two (2), 3/60/230-460 vibrating motors (less starters and wiring)
- Adjustable stroke
- Horizontal main frame

Drive Assembly

Model	Horsepower	Fine Sand** Capacity	Coarse Sand** Capacity
DWS 38	2 at 3.9	20	65
DWS 410	2 at 4.7	43	144
DWS 513	2 at 8.4	65	216
DWS 613	2 at 9.4	78	259
DWS 716	2 at 11	106	353
DWS 816	2 at 12.7	121	403

*Capacities provided are estimates

**Fine Sand defined as -#50 x +#325

**Coarse Sand defined as -#4 x + #150

Physical/Operating Characteristics

Model	Weight		"A"		"B"		"C"		"D"		"E"	
	lb	kg	in	mm	in	mm	in	mm	in	mm	in	mm
DWS 38	4,810	2,182	121.57	3087.88	68.15	1731.01	107.73	2736.34	58.73	1491.74	45.52	1156.21
DWS 410	6,400	2,903	139.12	3533.65	75.19	1909.83	135.00	3429.00	64.11	1628.39	48.33	1227.58
DWS 513	8,820	4,001	186.68	4741.67	83.61	2123.69	185.00	4699.00	89.69	2278.13	47.14	1197.36
DWS 613	9,310	4,223	186.66	4741.16	83.76	2127.50	185.00	4699.00	90.03	2286.76	47.01	1194.05
DWS 716	17,200	7,802	219.21	5567.93	105.84	2688.34	220.00	5588.00	119.55	3036.57	52.82	1341.63
DWS 816	18,550	8,414	198.98	5054.09	106.71	2710.43	199.77	5074.16	119.55	3036.57	52.82	1341.63

Continued

Model	"F"		"G"		"H"		"J"		"K"		"L"		"M"
	in	mm	in	mm	in	mm	in	mm	in	mm	in	mm	degree
DWS 38	10.10	256.54	27.80	706.12	18.15	461.01	37.22	945.39	48.25	1225.55	62.25	1581.15	5
DWS 410	5.74	145.80	28.08	713.23	14.58	370.33	49.03	1245.36	63.88	1622.55	77.87	1977.90	5
DWS 513	5.81	147.57	30.03	762.76	26.22	665.99	60.84	1545.34	75.83	1926.08	89.81	2281.17	5
DWS 613	5.81	147.57	29.90	759.46	26.20	665.48	72.65	1845.31	80.81	2052.57	94.81	2408.17	5
DWS 716	6.88	174.75	32.08	814.83	22.32	566.93	84.47	2145.54	99.50	2527.30	113.50	2882.90	3
DWS 816	6.88	174.75	32.08	814.83	2.09	53.09	96.28	2445.51	111.50	2832.10	125.50	3187.70	3

