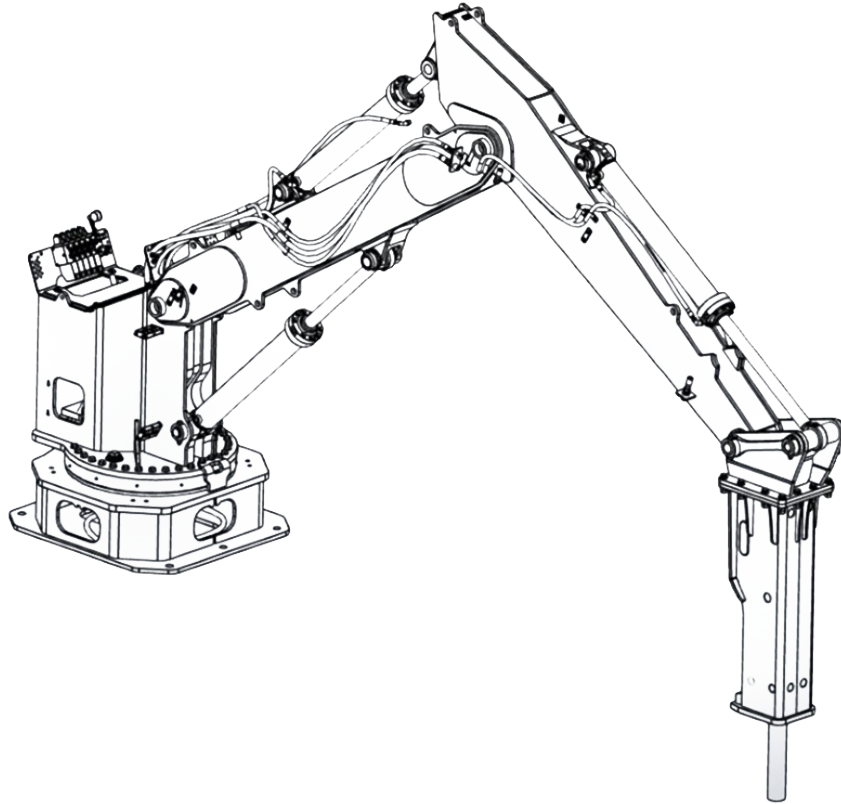


NTTE SERIES

Rock Breaker System



Maximum Strength

Oversized hardened alloy pins, aluminum-bronze bushings, and thrust washers deliver maximum service under adverse conditions. Our induction-hardened chrome cylinder rods resist damage from fly rock. Four plate variable cross-section booms are specifically designed to minimize stress concentrations that typically lead to fatigue cracks

Longer Lifespan

Astec implements many design features that contribute to the overall life of the rock breaker. Clevis-type, high-pressure hydraulic cylinders equipped with high tensile steel-cast cylinder lugs provide maximum strength in rock breaking applications. The cylinder's self-aligning spherical ball bushings keep the equipment properly aligned and flexible during production hours throughout its lifespan

High Production

For high production applications, Astec combines enhanced motion control and boom position feedback for continuous speed giving the highest level of controllability while minimizing cycle times, improving operator fatigue and production

Pedestal Design

Astec offers two pedestal designs, swing post or turntable. The cost-effective NTE swing-post design provides 170-degrees of swivel action. The NTTE turntable design offers a 330-degree full rotation with a hydraulic-driven slew-bearing drive producing a constant swing torque for consistent force during operation. All models are fitted with relief functions and back drive capability to absorb shock loading from the crusher without damaging the rock breaker system

Premium Controls

Astec offers a wide range of controls for all rock breaker systems. The breaker intel control system, Astec's premium controls, provide long-distance controls for single or multiple rock breaker operations, enhanced motion control and position feedback with collision avoidance, programmable ramp generation and flow sharing that easily integrate into your current plant. The system also provides monitoring and diagnostics. Our standard proportional control comes with your choice of game-style or joysticks controller

Physical/Operating Characteristics

Model	Operating Weight Range		Base Dimensions		Vertical Reach Forward		Vertical Reach Down		Maximum Reach Forward		Swing Rotation Angle	Recommended Breaker Range
	lb	kg	ft	m	ft	m	ft	m	ft	m		
NTTE12	12,510 - 14,110	5,674 - 6,400	4' 2" x 4' 5"	1.27 x 1.35	14	4.3	9' 6"	2.9	19' 7"	5.9	330° Indexable Turntable	BX10 to BX40
NTTE16	12,910 - 14,510	5,860 - 6,580			15' 8"	4.8	12'	3.6	22'	6.7		
NTTE20	12,910 - 14,510	5,860 - 6,580			18' 7"	5.6	14'	4.3	25'	7.6		
NTTE24	14,110 - 15,710	6,400 - 7,130			23' 8"	7.2	20'	6.4	30'	9.1		BX10 to BX30

